

### Compatibility connector electronics 10,11 und 12 to predecessor

---

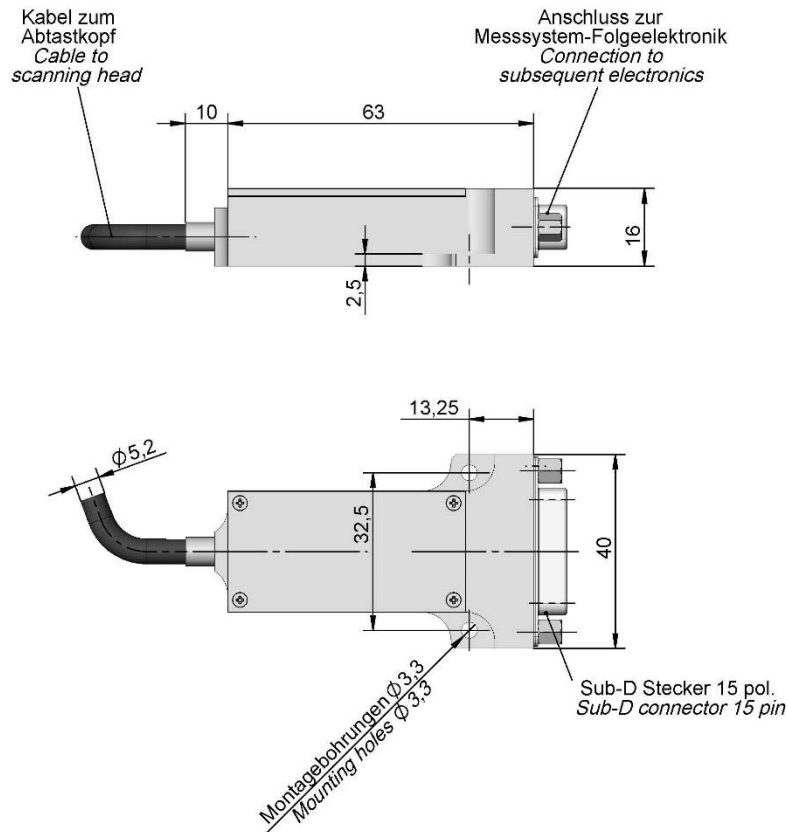
#### 1. Mechanics

Most of the mechanical dimensions are identical except an improved cable gland (optimizing EMI behaviour) compared to the previous version.

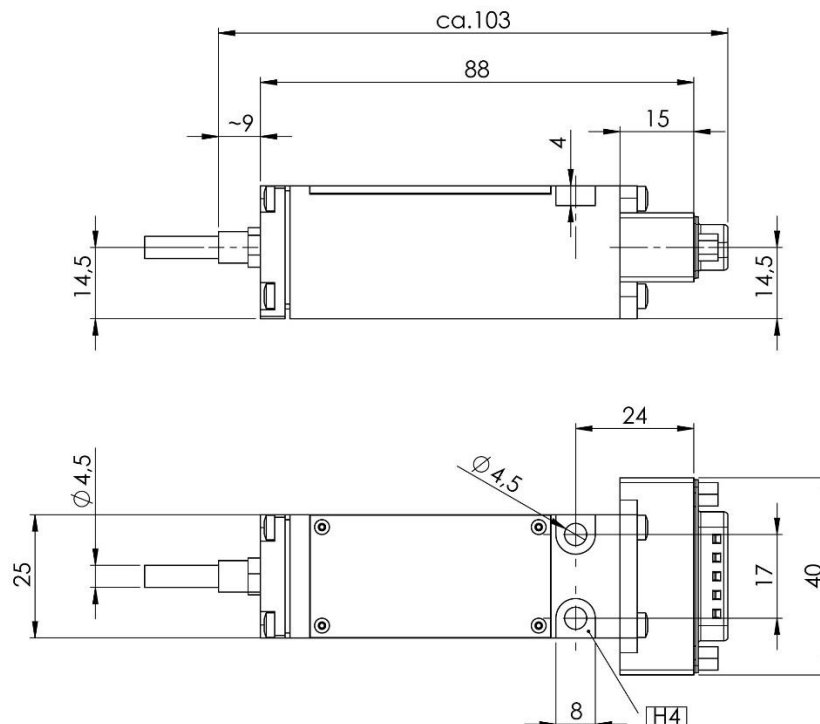
Mechanical dimensions shown in the following drawings. Differences in mechanical dimensions are indicated.

# Customer information #11/2016

## old generation: 5

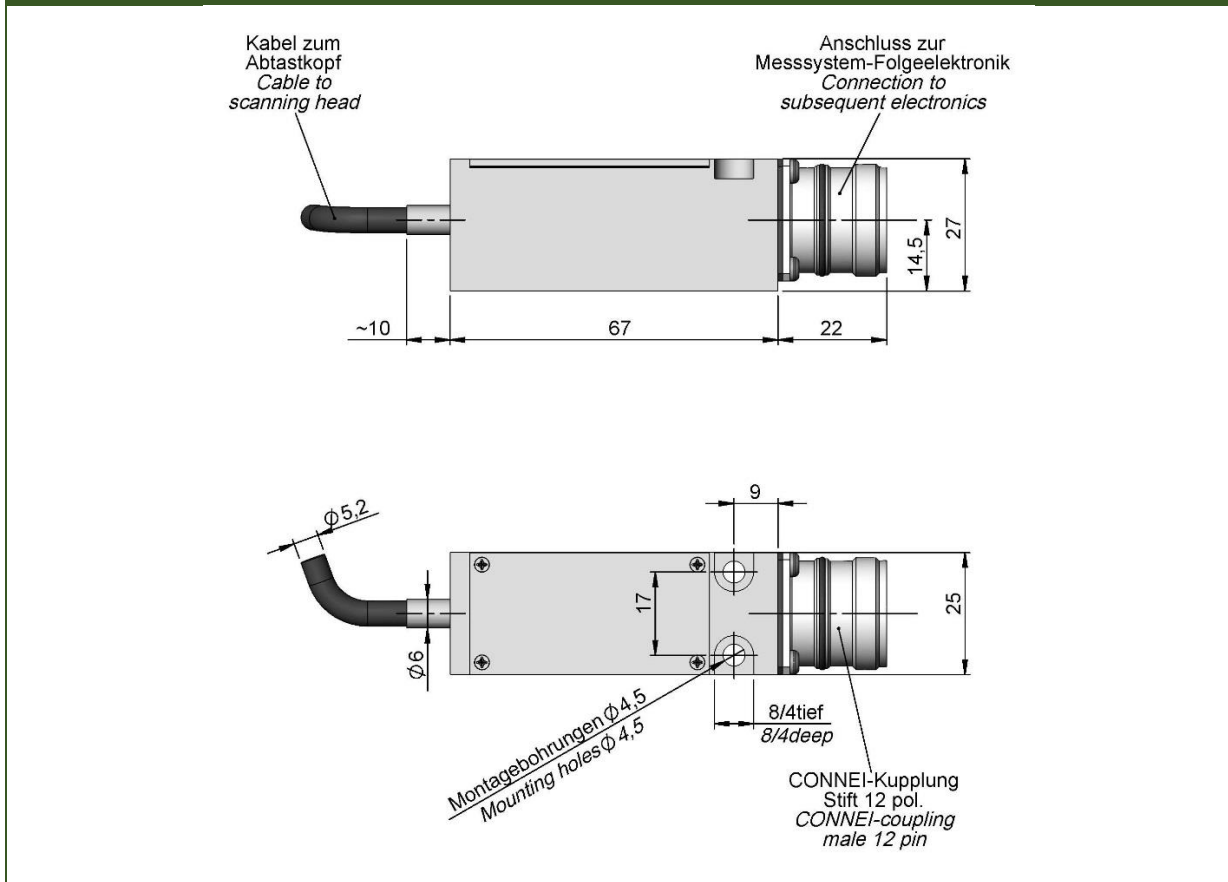


## new generation, design 11: miniature, connector with electronics on cable, output Sub-D



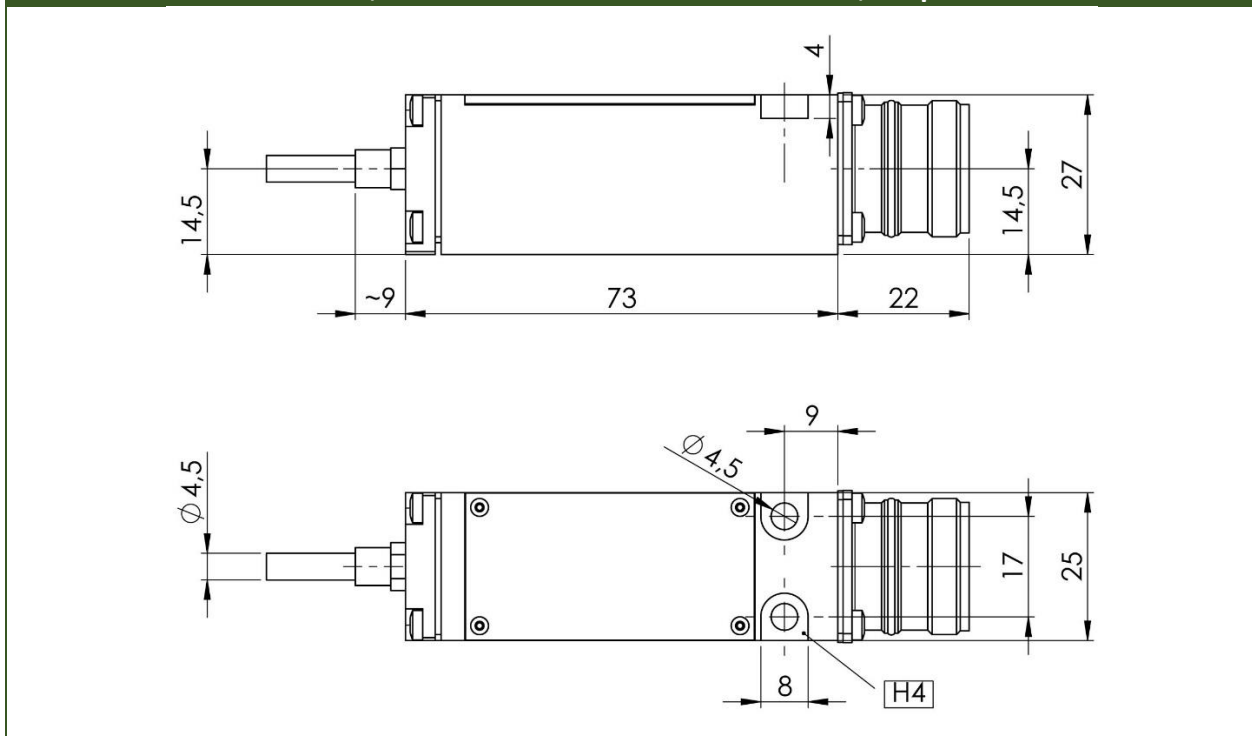
# Customer information #11/2016

## old generation: 6



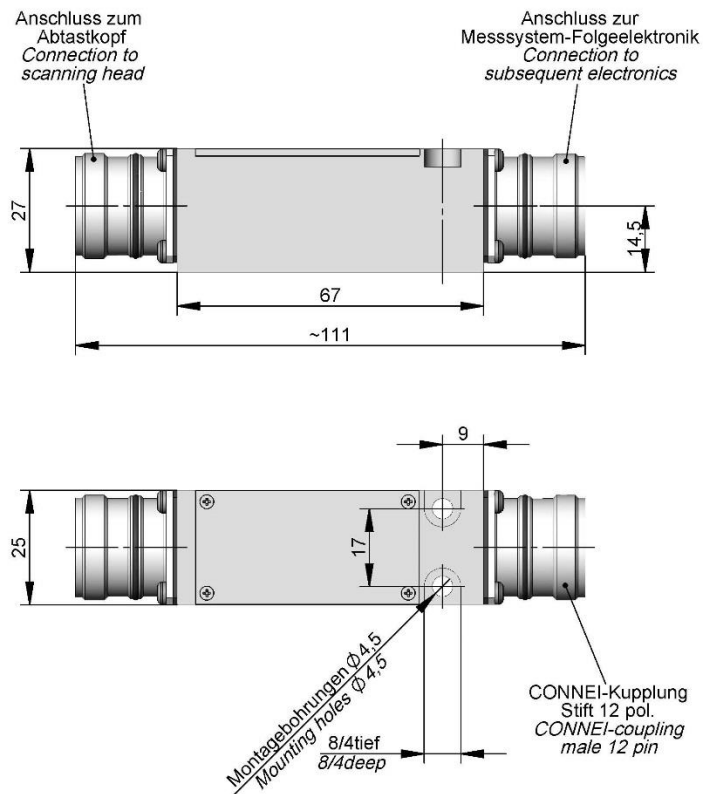
## new generation, design 10:

### miniature, connector with electronics on cable, output M23

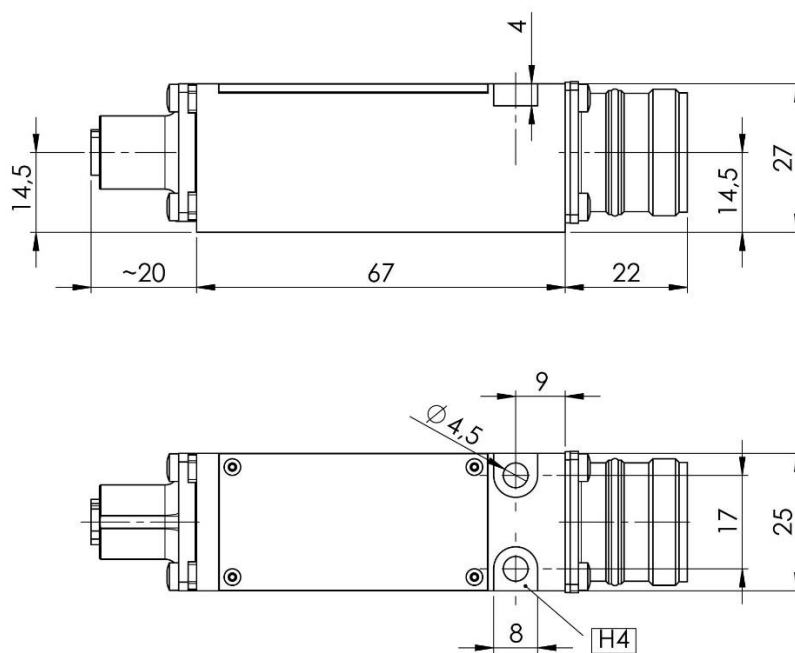


# Customer information #11/2016

## Old generation: 6A

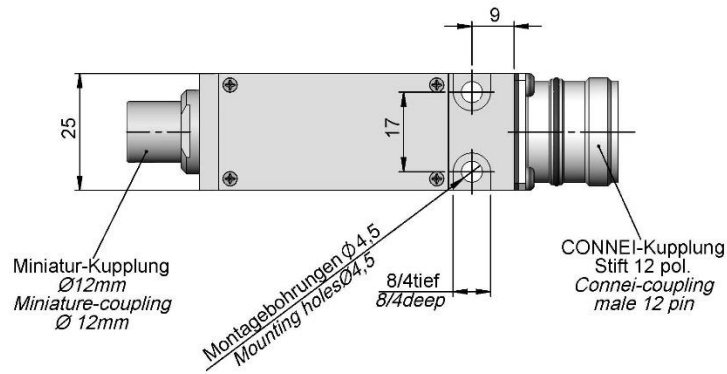
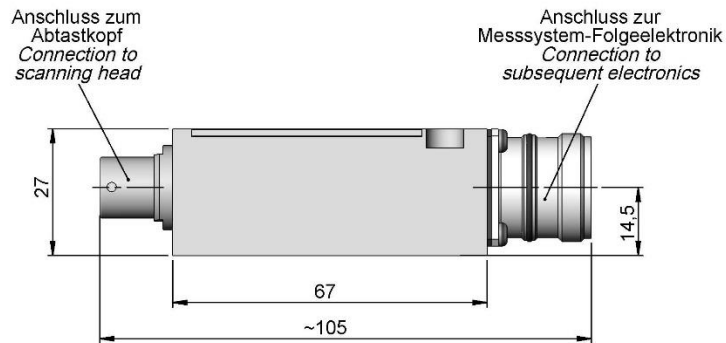


## new generation, design 12: miniature, pluggable connector with electronics on cable via M12, output M23

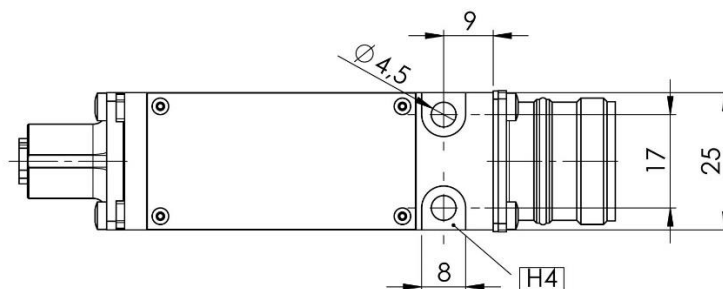
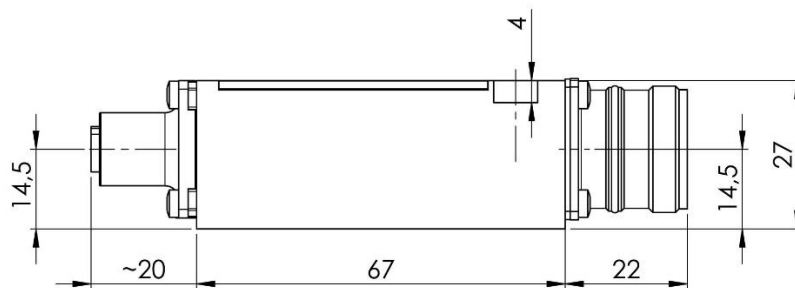


# Customer information #11/2016

## old generation: 6B



## new generation, desing 12: miniature, pluggable connector with electronics on cable via M12, output M23




## 1. Cable

Implementing the new cable gland makes it necessary to change the output cable type.

### TECHNICAL DATA

<b>jacket</b>	PUR
<b>outer diameter</b>	4,5 +/-0,1mm
<b>wires</b>	6x2x0,09mm <sup>2</sup>
<b>bending radius</b>	≥ 10mm for one time bending ≥ 50mm for continuous bending
<b>oil resistant</b>	according to. DIN EN 60811-2-1
<b>general resistant</b>	according to. D 253 377-03-A-01 F96905 according to. DIN EN50363-10-2 UL according to Style 20963 80°C 30V

### signal to wire configuration:

	U <sub>P</sub>	Sensor U <sub>P</sub>	0V	Sensor 0V	A+	A-	B+	B-	R+	R-	Free	Diag+	Diag-
	brown/ green	blue	white/ green	white	brown	green	grey	pink	red	black	/	violet	yellow